

# LED Centre Basket Troffer 2X4

SKU: AA-900034U3-LB



## Description

The Elakeview LED Centre Basket Troffer provides high lumen efficacy and energy savings to projects in low profile applications. This troffer light is an excellent energy efficient replacement for fluorescent fixtures.



## Features

- AC120-347V Wide Input
- Wattage Selectable: 34W/42W/50W
- 5 Selectable CCT: 30/35/40/50/65K
- Efficacy: 150LM/W
- Easy To Install And Operate
- Receptacle For PIR Sensor (Sensor Sold Separately)
- Suitable For Damp Location
- DLC 6.0 & CUL Listed
- LM70 180,000hrs, LM80 120,000hrs
- 10 Year Warranty, Extended Warranty Available

## Applications

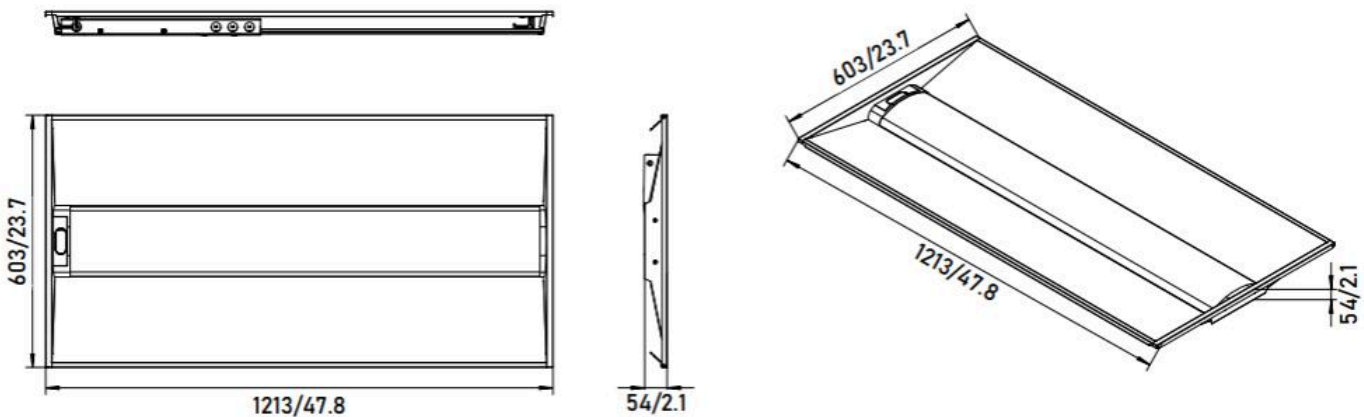
- Office Buildings
- Healthcare Facilities
- Schools
- Retail Stores

## Ordering Information



SKU	Model	CRI	Voltage	Wattage	Efficacy	Lumens	CCT	Size
AA-900033U2	TR2X2UCCTW	>90	AC120-347V	20/28/34/41W	150LM/W	3000/4200/5100/6150LM	30/35/40/50/65K	2X4 FT

## Dimensions



Accessories

Sold Separately



PIR Sensor  
SKU: AA-SENPIR-ANT15P



Wireless Handheld Configuration Tool  
Model: RC-100