

## Installation Instruction

### ⚠ WARNING

- To reduce the risk of death, personal injury or property damage from fire, electric shock, falling parts, cuts/abrasions, and other hazards read all warnings and instructions included with and on the fixture box and all fixture labels.
- Before installing, servicing, or performing routine maintenance upon this equipment, follow these general precautions.
- Commercial installation, service and maintenance of luminaires should be performed by a qualified licensed electrician.
- For the installation: If you are unsure about the installation or maintenance of the luminaires, consult a qualified licensed electrician and check your local electrical code.
- To prevent wiring damage or abrasion, do not expose wiring to edges of sheet metal or other sharp objects.
- Do not make or alter any open holes in an enclosure of wiring or electrical components during kit installation.

### ⚠ WARNING

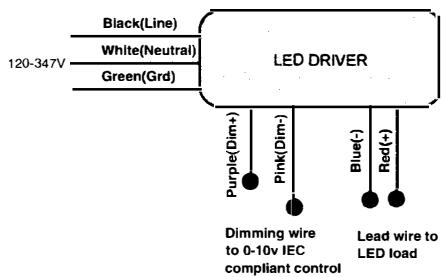
- Turn off electrical power at fuse or circuit breaker box before wiring fixture to the power supply.
- Turn off the power when you perform any maintenance.
- Verify that supply voltage is correct by comparing it with the luminaire label information.
- All wiring connections should be capped with UL approved wire connectors.

### ⚠ CAUTION

- Avoid direct eye exposure to the light source while it is on.
- Account for small parts and destroy packing material, as these may be hazardous to children.
- Risk of burn. Disconnect power and allow fixture to cool before changing bulb or handing fixture.

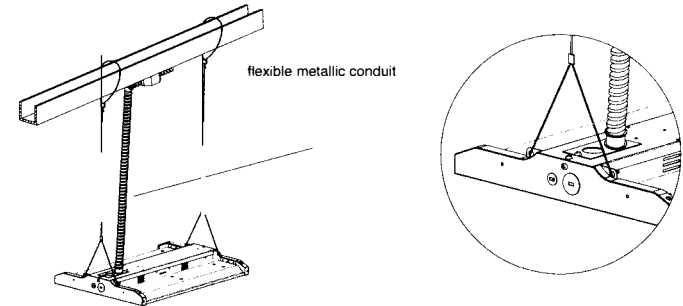
**NOTICE:** Green ground screw provided in proper location. Do not relocate. **NOTICE:** Minimum 90°C supply conductors.  
**NOTICE:** Specifications and dimensions subject to change without notice. **NOTICE:** Suitable for Dry or Damp location.

### General Wiring Diagram

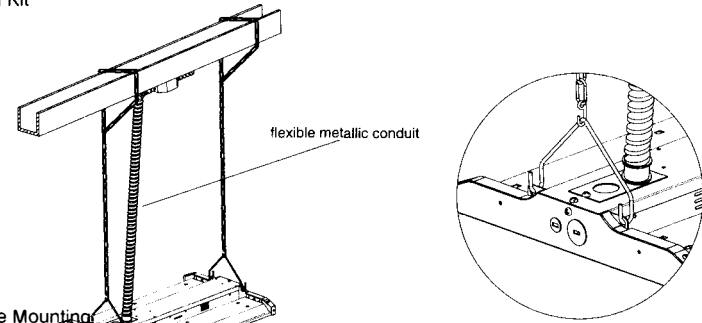


## Installation Instruction

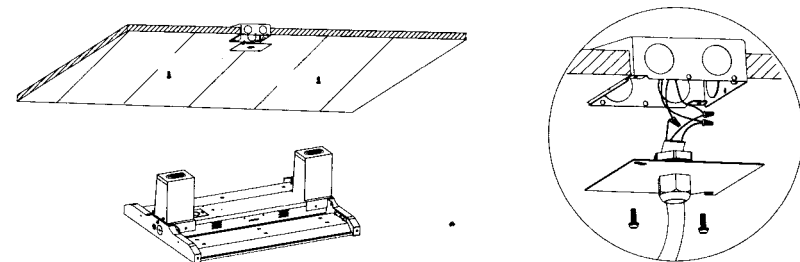
### A: Cable Kit



### B: Chain Kit

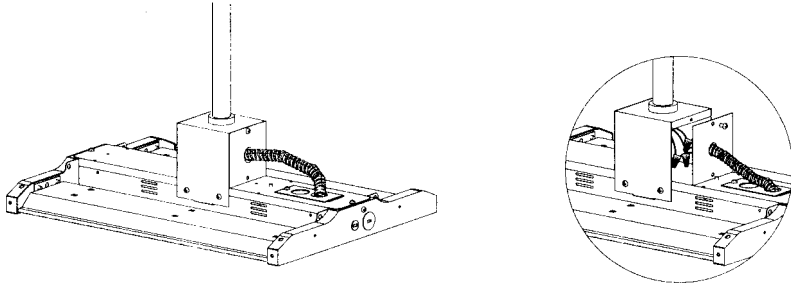


### C: Surface Mounting

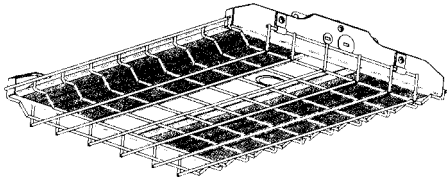


## Installation Instruction

D: Pendant Hanger



E: Wire Guards



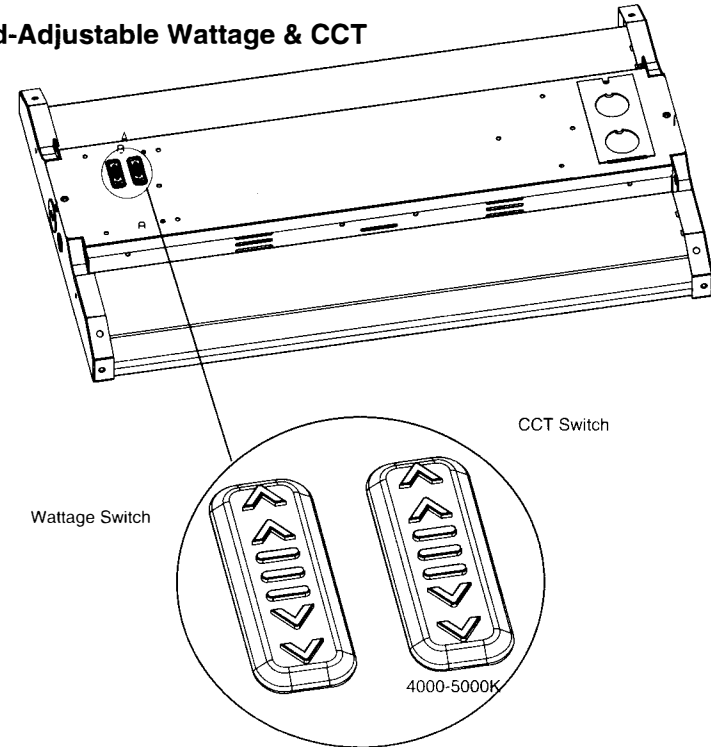
### Installation Step:

**Always turn off the power supply from main circuit breaker first!**

- Remove the new LED fixture from packaging and inspect for any damages. Handle new LED fixture with care.
- **CHAIN MOUNT EXAMPLE;** Install the chain into the provided wire hanger. Secure the other end of the chain to a structure using hardware rated for the load. Install the wire hanger onto the side of the top ETLB5A LED channel.
- Make sure the wiring hangers are fully engaged into the side holes on the top channel
- Connect the LED high bay wiring to line wire, black to black, white to white and green to green. Use only UL listed wiring. "NOTE: Purple and pink lead inside the driver compartment are 0-1 OV (low voltage) dimming leads. Connect to dimming low voltage wiring only
- Clean all residues/fingerprints from the new LED high bay and lens. Double check all hanging hardware before moving onto the next installation.

## Installation Instruction

### Field-Adjustable Wattage & CCT



The end users may adjust the color temperature and lumen output respectively by the two DIP switches. The light output DIP switch is accommodated with 3 options (left, middle and right), corresponding to 3 powers respectively, the CCT DIP switch is accommodated with 2 options (left and right), corresponding to 2 color temperatures.

1. DIP switches are located onto the back of the fixture.
2. Select a wattage and color temperature by sliding switch left or right respectively to the desired value.