

# UFO Highbay/Area Light/Canopy Microwave Sensor

SKU: AA-HBUMCSENSOR-DC12V >100W



## Description

Sharkward's ANT-5-4T pluggable series are designed to be used in commercial and industrial installations (Dimming & daylight harvesting & bluetooth versions are available). Its pluggable design is convenient for factory pre-installation.



## Features

This product series operates using 12-24VDC input.

For best performance the sensor should be installed at 40ft for high bay mounts. Sensing pattern will vary based on the particular mounting method used. This product series operates using 12-24VDC input. The sensor emits microwaves at 5.8Ghz frequency and uses the Doppler Effect to detect motion. It has design features that enable it to detect direct and tangential motion, but it is best at detecting direct motion (coming towards or away from the sensor) This product series can see through many types of low density materials such as glass, wood, or plastic. Sensor range (unobstructed) is up to 40ft for ceiling mount. However, range is adversely affected by the type and density of the materials will completely block the sensor (eg: metals) and some materials will significantly reduce the range.

WARNING: ANT-5-4T sensor can be installed on Sharkward's various receptacles.

## Applications

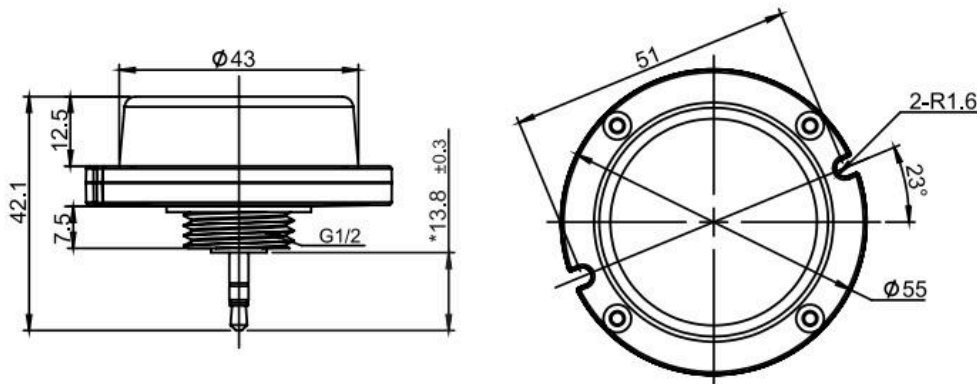
- Shopping Malls
- Warehouses & Distribution Centers
- Parking Garages
- Assembly Areas

## Ordering Information

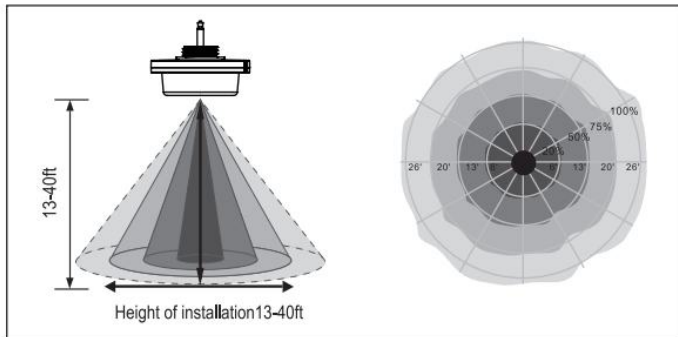


| SKU                  | Model   | Description               | Input Voltage | Output/Max Load                  | Sheath Wire | IP Rating |
|----------------------|---------|---------------------------|---------------|----------------------------------|-------------|-----------|
| AA-HBUMCSENSOR-DC12V | ANT-54T | Microwave Sensor DC12-24V | 12-24VDC      | 0-10V, max. 25mA sinking current | Yes         | IP65      |

## Dimensions

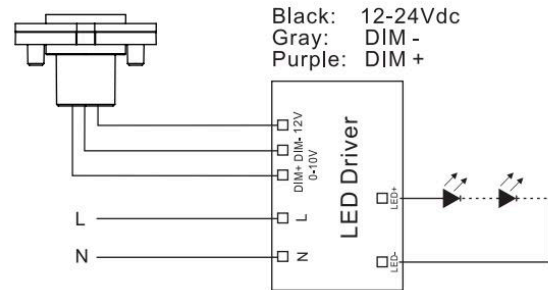


## Detection Coverage



## Wiring Diagram

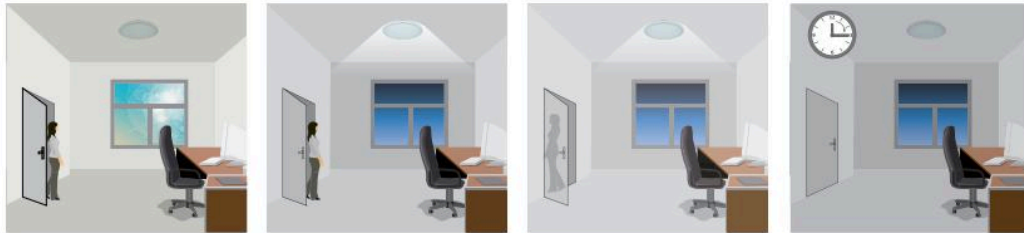
Wiring with 12-24VDC wire dimming ballast or LED driver.



## Sensor Functions

### Corridor Function

This function inside the motion sensor to achieve tri-level control, for some areas which require a light change notice before switch-off. The sensor offers 3 levels of light: 100%-->dimmed light (natural light is insufficient)-->off; and 2 periods of selectable waiting time: motion hold-time and stand-by period; Selectable daylight threshold and freedom of detection area.



With sufficient natural light, the light does not switch on when presence is detected.

With insufficient natural light, the sensor switches on the light automatically when presence is detected.

After hold-time, the light dims to stand-by level if the surrounding natural light is below the daylight threshold.

Light switches off automatically after the stand-by period elapses.

Note: If you choose STAND-BY DIM is 0, the stand-by period is 0, it is ON/OFF function.

### Daylight Harvesting Function

Open the daylight harvesting function only by choosing "@" button when remote control is in setting condition. Memory and maintain current ambient brightness.



When the natural light is sufficient or dark, movement is detected and the light will turn on 100% brightness.

The light turns on at full or dims to maintain the lux level. The light output regulates according to the level of natural light available.

The light dims to stand-by period after hold-time and stays on selected minimum dimming level.

## Sensor Functions

### Smart Photocell Function

Open the smart photocell sensor by pushing when the remote control is in the setting condition.



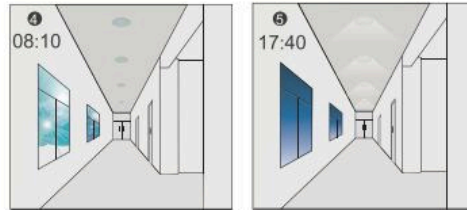
The light switches on at 100% when there is movement detected.

The light dims to stand-by level after the hold-time.

The light remains in dimming level at night.

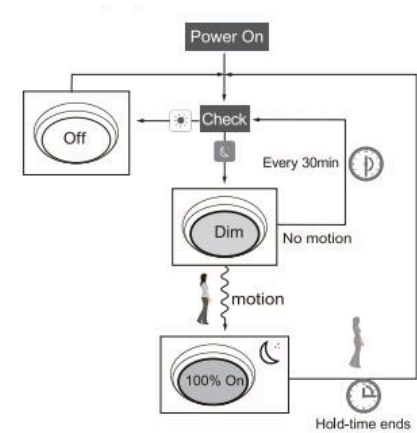
Settings on this demonstration:  
Hold-time: 10min  
Setpoint on: 50lux  
Setpoint off: 300lux  
Stand-by Dim: 10%  
Stand-by period: +∞  
(When the smart photocell sensor is open, the stand-by time is only +∞)

1 to 3 goes in cycle at night. 100% on when movement is detected, and dims to 10% in long absence.



When the natural light level exceeds setpoint off to light, the light will turn off even if the space is occupied.

The light automatically turns on at 10% when natural light is insufficient (no motion).



### Bluetooth Function

