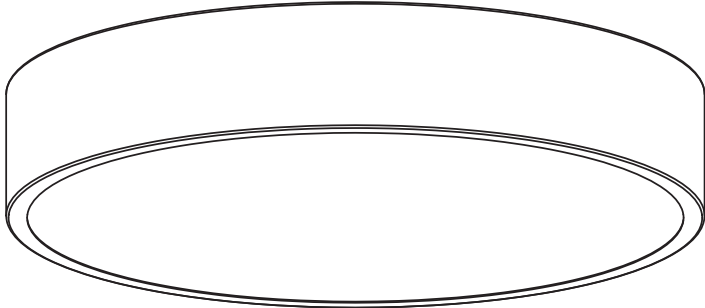


# Installation Instruction

LED Flush mount

## INSTALLATION & OPERATING INSTRUCTION GUIDE



## READ THESE IMPORTANT SAFETY INSTRUCTIONS

Please read and understand this entire manual before attempting to assemble, operate or install this product.

1. **RISK OF FIRE OR ELECTRIC SHOCK** : The electrical rating of this product is 120 Vac.
2. Danger-Risk of Shock-Disconnect Power Before Installation .
3. **WARNING** - To prevent wiring damage or abrasion , do not expose wiring to edges of sheet metal or other sharp objects .
4. Suitable for damp locations .
5. This product must be installed in accordance with any applicable installation code(s) by a qualified electrician or person familiar with construction and operation of the product and hazards involved.
6. This Devices is not intended for use with emergency exits.
7. **WARNING**- Carefully read and understand the information given in this manual before beginning the assembly and installation . Failure to do so could lead to electric shock , fire or other injuries which could be hazardous or even fatal .
8. **WARNING**- Be sure the electricity to the wires you are working on is shut off. Either remove the fuse or turn the circuit off .

For your safety , please read all instructions completely before beginning the installation .

**CAUTION** : To avoid possible electrical shock , be sure that power supply is turned off at the fuse box/circuit breaker before installing or servicing the fixture .

## PACKAGE CONTENTS

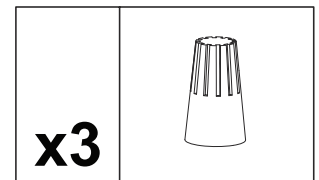
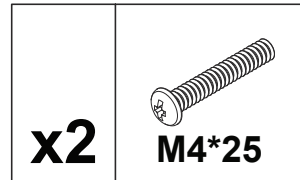
Make sure all parts are present before beginning installation of this product . Compare package contents with parts list and diagram shown here . If parts are missing or damaged, do not assemble , install or operate this product.

## PLANNING INSTALLATION

Read all instructions before assembly . Before starting installation of this fixture or removal of a previous fixture , disconnect the power turning off the circuit breaker or by removing the fuse at the fuse box . To avoid damaging this product , assemble it on a soft, non-abrasive surface such as carpet or cardboard.

## INSTALLATION INSTRUCTIONS

## HARDWARE INCLUDED



**STEP 1:** Turn off the electrical power. (Fig. 1)

**STEP 2:** Place the outlet box screw into the appropriate holes on the outlet box .(Fig. 2)

**STEP 3:** Connecting the electrical wires and securing the fixture. Use a wire connector to connect the ground wire from the fixture to the ground wire from the outlet box . Use a wire connector to connect the white wire from the fixture to the white wire (neutral wire) from the outlet box . Use a wire connector to connect the black wire from the fixture to the black wire (live wire) from the outlet box . Wrap the three wire connections with electrical tape for a more secure connection . Position the wires inside the outlet box. (Fig. 3)

**STEP 4:** Selecting the CCT option  
Choose your preferred correlated color temperature (CCT) from the five options : 2700K warm white , 3000K soft white , 3500K neutral white , 4000K bright white , or 5000K daylight . Move the CCT switch on the fixture to make your selection . (Fig.4)

**STEP 5:** Install the diffuser plate (Fig.5)

**STEP 6:** Turn on the electrical power (Fig.6)

This device complies with Part 15 of the FCC Rules . Operation is subject to the following two conditions :

- (1) This device may not cause harmful interference ,and
- (2) This device must accept any interference received , including interference that may cause undesired operation .

# Installation Guide

LED Flush mount

Fig.1 Turn off the electrical power before installation.

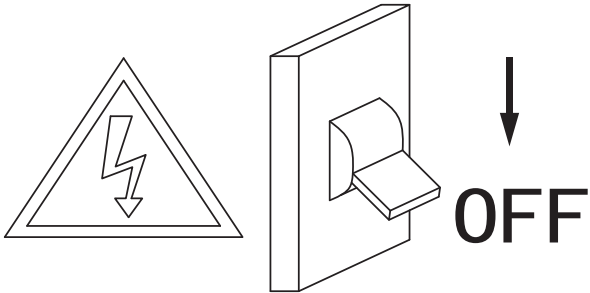


Fig.2 Place the outlet box screw into the appropriate holes on the outlet box.

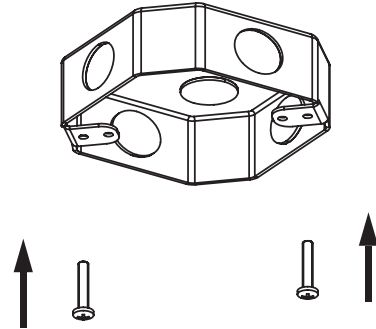


Fig.3 Connecting the electrical wires and securing the fixture.

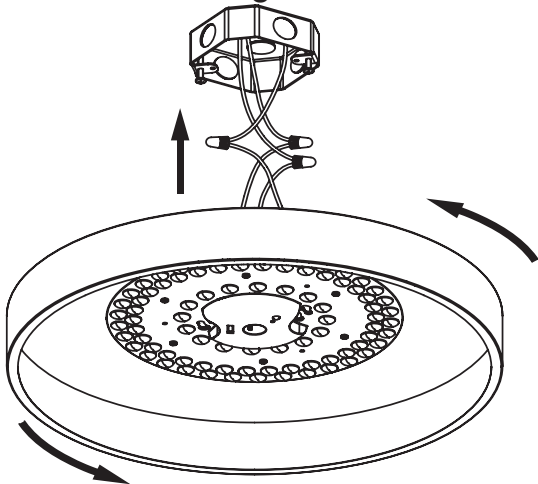


Fig.4 Selecting the CCT option

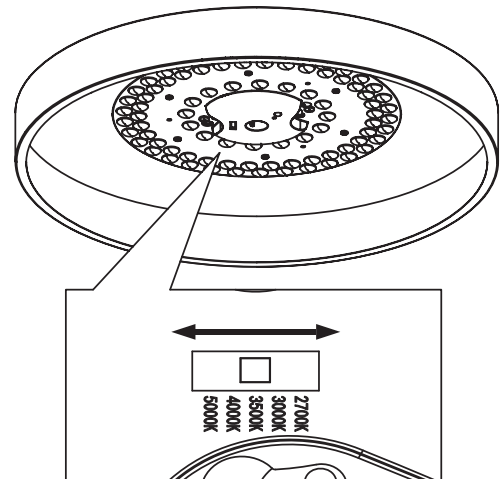


Fig.5 Install the diffuser plate

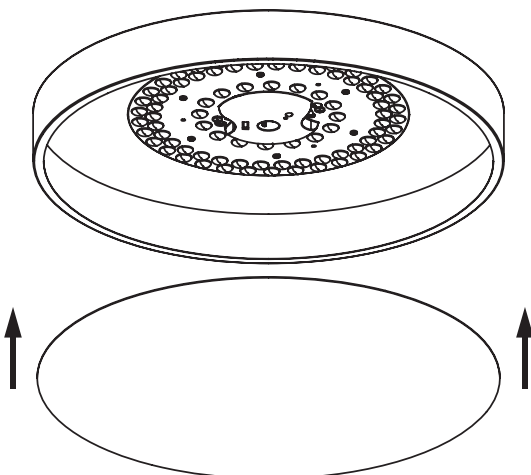


Fig.6 Turn on the electrical power

