

# INSTRUCTIONS

## LED T5 bypass tube series double ended

### THIS RETROFIT KIT INCLUDES:

- LED T5 Tube
- Installation instructions
- Field applied label

### IMPORTANT: READ ALL INSTRUCTIONS BEFORE THE INSTALLATION.

**TO PREVENT ELECTRICAL SHOCK, MAKE SURE TO TURN OFF MAIN POWER SWITCH PRIOR TO THE INSTALLATION. NOT FOR EMERGENCY LIGHTING.**

SUITABLE FOR DAMP LOCATIONS. DO NOT USE WITH DIMMERS EXCEPT FOR POWER SUPPLY 120V

THIS DEVICE IS NOT INTENDED FOR USE WITH EMERGENCY EXITS.

THE RETROFIT KIT IS ACCEPTED AS A COMPONENT OF A LUMINAIRE WHERE THE SUITABILITY OF THE COMBINATION SHALL BE DETERMINED BY AUTHORITIES HAVING JURISDICTION. PRODUCT MUST BE INSTALLED BY A QUALIFIED ELECTRICIAN IN ACCORDANCE WITH THE APPLICABLE AND APPROPRIATE ELECTRICAL CODES. THE INSTALLATION GUIDE DOES NOT SUPERSEDE LOCAL OR NATIONAL REGULATIONS FOR ELECTRICAL INSTALLATIONS.

THIS DEVICE COMPLIES WITH PART 15 OF THE FCC RULES. OPERATION IS SUBJECT TO THE FOLLOWING TWO CONDITIONS: (1) THIS DEVICE MAY NOT CAUSE HARMFUL INTERFERENCE, AND (2) THIS DEVICE MUST ACCEPT ANY INTERFERENCE RECEIVED, INCLUDING INTERFERENCE THAT MAY CAUSE UNDESIRABLE OPERATION.

RISK OF SHOCK-DISCONNECT POWER BEFORE INSTALLATION.

**"WARNING-RISK OF FIRE OR ELECTRIC SHOCK. LED RETROFIT KIT INSTALLATION REQUIRES KNOWLEDGE OF LUMINAIRE ELECTRICAL SYSTEMS. IF NOT QUALIFIED, DO NOT ATTEMPT INSTALLATION. CONTACT A QUALIFIED ELECTRICIAN."**

**AVERTISSEMENT - RISQUE D'INCENDIE ET DE DÉCHARGE ÉLECTRIQUE. L'INSTALLATION D'UN SYSTÈME DE LUMINAIRE NÉCESSITE UNE CONNAISSANCE DES SYSTÈMES ÉLECTRIQUES POUR LUMINAIRE. N'ENTREPRENEZ AUCUNE INSTALLATION SI VOUS N'ÊTES PAS QUALIFIÉ. CONTACTEZ UN ÉLECTRICIEN QUALIFIÉ.**

**"WARNING - RISK OF FIRE OR ELECTRIC SHOCK. INSTALL THIS KIT ONLY IN THE LUMINAIRE THAT HAVE THE CONSTRUCTION FEATURES AND DIMENSIONS SHOWN IN THE PHOTOGRAPHS AND/OR DRAWINGS AND WHERE THE INPUT RATING OF THE RETROFIT KIT DOES NOT EXCEED THE INPUT RATING OF THE LUMINAIRE."**

**AVERTISSEMENT - RISQUE D'INCENDIE OU DE CHOC ÉLECTRIQUE. INSTALLER CE KIT SEULEMENT DANS DES LUMINAIRE QUI AYANT LES CARACTÉRISTIQUES DE CONSTRUCTION ET LES DIMENSIONS MENTIONNÉES DANS LES PHOTOGRAPHIES ET / OU LES DESSINS ET OÙ LA VÉRIFICATION D'ENTRÉE DU KIT RETROFIT NE DÉPLAÇE PAS LA VALEUR D'ENTRÉE DU LUMINAIRE.**

DO NOT MAKE OR ALTER ANY OPEN HOLES IN AN ENCLOSURE OF WIRING OR ELECTRICAL COMPONENTS DURING KIT INSTALLATION.

**"WARNING - TO PREVENT WIRING DAMAGE OR ABRASION, DO NOT EXPOSE WIRING TO EDGES OF SHEET METAL OR OTHER SHARP OBJECTS.**

**AVERTISSEMENT - AFIN D'ÉVITER TOUT DOMMAGE OU ABRASION AU SYSTÈME DE CÂBLES, NE PAS EXPOSER CE DERNIER À DES BORDS DE PLAQUES EN MÉTAL OU À DES OBJETS TRANCHANTS.**

FOR "ONE END" WIRING CONFIGURATION ONLY, **"WARNING: TO AVOID POTENTIAL FIRE OR SHOCK HAZARD, DO NOT USE THIS RETROFIT KIT IN LUMINAIRE EMPLOYING SHUNTED BI-PIN LAMP HOLDERS. NOTE: SHUNTED LAMP HOLDERS ARE FOUND ONLY IN FLUORESCENT LUMINAIRE WITH INSTANT-START BALLASTS.**

INSTANT-START BALLASTS CAN BE IDENTIFIED BY THE WORDS "INSTANT START" OR "I.S." MARKED ON THE BALLAST. THIS DESIGNATION MAY BE IN THE FORM OF A STATEMENT PERTAINING TO THE BALLAST ITSELF, OR MAY BE COMBINED WITH THE MARKING FOR THE LAMPS WITH WHICH THE BALLAST IS INTENDED TO BE USED, FOR EXAMPLE F40T12/IS. FOR MORE INFORMATION, CONTACT THE LED LUMINAIRE RETROFIT KIT MANUFACTURER."

# INSTRUCTIONS

## LED T5 bypass tube series double ended

**AVERTISSEMENT** - AFIN D'ÉVITER TOUT RISQUE D'INCENDIE OU DE DÉCHARGE, NE PAS UTILISER CE SYSTÈME POUR DES LUMINAIRES UTILISANT DES DOUILLES DE LAMPE BI-CONTACTS COURT-CIRCUITÉES. NOTE : LES DOUILLES DE LAMPE BI-CONTACTS COURT-CIRCUITÉES SE TROUVENT GÉNÉRALEMENT DANS LES LUMINAIRES FLUORESCENTS AVEC BALLASTS À ALLUMAGE INSTANTANNÉ. CES DERNIERS S'IDENTIFIENT PAR LES TERMES « INSTANT START » OU « I.S. ». CES TERMES PRENNENT LA FORME D'UN ÉNONCÉ RELATIF AU BALLAST MÊME OU PEUVENT ÊTRE AJOUTÉS AUX INDICATIONS CONCERNANT LES LAMPES AVEC LESQUELLES LES BALLASTS DOIVENT ÊTRE UTILISÉS (PAR EXEMPLE, F40T12/IS). POUR DE PLUS AMPLES RENSEIGNEMENTS, VEUILLEZ COMMUNIQUER AVEC LE FABRICANT DU SYSTÈME DE LUMINAIRE DEL.

"THE RETROFIT KIT IS ACCEPTED AS A COMPONENT OF A LUMINAIRE WHERE THE SUITABILITY OF THE COMBINATION SHALL BE DETERMINED BY AUTHORITIES HAVING JURISDICTION. PRODUCT MUST BE INSTALLED BY A QUALIFIED ELECTRICIAN IN ACCORDANCE WITH THE APPLICABLE AND APPROPRIATE ELECTRICAL CODES. THE INSTALLATION GUIDE DOES NOT SUPERSEDE LOCAL OR NATIONAL REGULATIONS FOR ELECTRICAL INSTALLATIONS.

LE NÉCESSAIRE DE MODERNISATION EST ACCEPTÉ À TITRE DE COMPOSANT D'UN LUMINAIRE LORSQUE LA PERTINENCE DE LA COMBINAISON DOIT ÊTRE DÉTERMINÉE PAR LES AUTORITÉS COMPÉTENTES. CE PRODUIT DOIT ÊTRE MIS EN PLACE PAR UN ÉLECTRICIEN QUALIFIÉ CONFORMÉMENT AUX CODES ÉLECTRIQUES APPROPRIÉS APPLICABLES. LE GUIDE D'INSTALLATION NE SUPPLANTE PAS LES RÈGLEMENTS LOCAUX OU NATIONAUX .

THIS RETROFIT KIT IS ACCEPTED AS A COMPONENT OF A LUMINAIRE WHERE THE SUITABILITY OF THE COMBINATION SHALL BE DETERMINED BY AUTHORITIES HAVING JURISDICTION .

INSTALLERS SHOULD NOT DISCONNECT EXISTING WIRES FROM LAMP HOLDER TERMINALS TO MAKE NEW CONNECTIONS AT LAMP HOLDER TERMINALS. INSTEAD INSTALLERS SHOULD CUT EXISTING LAMP HOLDER LEADS AWAY FROM THE LAMP HOLDER AND MAKE NEW ELECTRICAL CONNECTIONS TO LAMP HOLDER LEAD WIRES BY EMPLOYING APPLICABLE CONNECTORS.

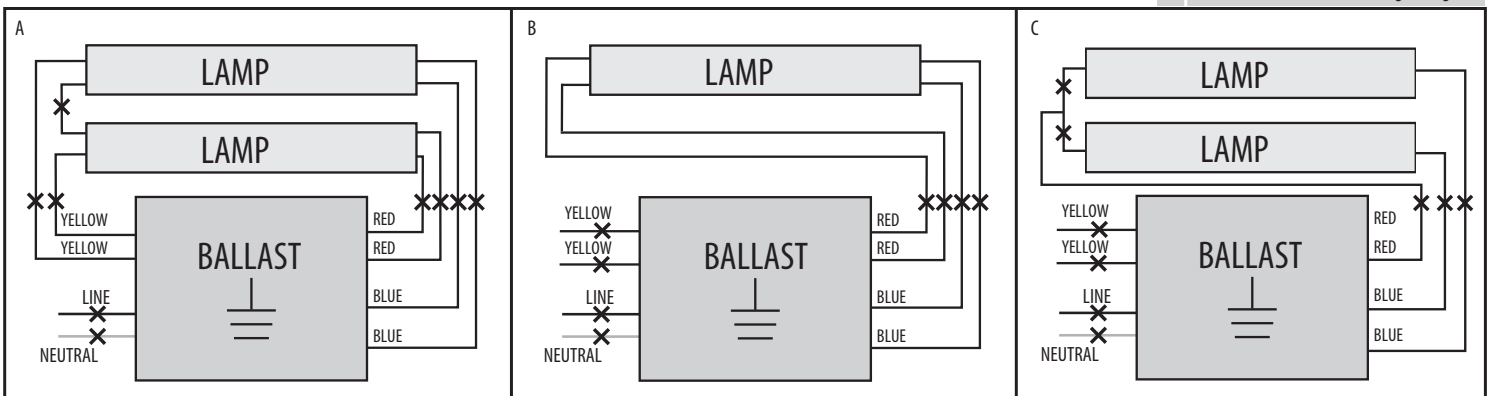
INSTALLERS SHOULD EXAMINE ALL PARTS THAT ARE NOT INTENDED TO BE REPLACED BY THE RETROFIT KIT FOR DAMAGE AND REPLACE ANY DAMAGED PARTS PRIOR TO INSTALLATION OF THE RETROFIT KIT.

Type B Lamp - intended for operation in luminaires with traditional fluorescent-type lampholders wired directly to the branch circuit. This includes both factory-wired luminaires as well as those converted for this purpose under a retrofit program.

# INSTRUCTIONS

## LED T5 bypass tube series double ended Double-ended installation (without dimmer)

Typical Ballast Configurations



- 1) Make sure the circuit breaker that supplies the power to the fixture is turned off.
- 2) Remove lens or diffuser cover (if possible) and existing fluorescent lamps.
- 3) Open/Remove ballast wiring compartment cover.
- 4) Check if there is a ballast in the fixture.
- 5) Identify the line and neutral wires running from the breaker box to the ballast and confirm the power is off using a voltmeter.
- 6) Cut all wires connected to ballast, and remove ballast (and starter if present). Dispose of removed ballast and fluorescent lamps in accordance with government regulations in your area.
- 7) LED T5 lamps are designed for double-ended connections only (Fig.1).
- 8) Wire using appropriate wiring diagram (Fig.2-3).
- 9) Reinstall the ballast cover to hide all wires.
- 10) Install your new LED T5 replacement lamp.
- 11) Apply warning label on a visible location inside the fixture.
- 12) Reinstall lens or diffusion cover on the light fixture.
- 13) Turn power on at the breaker box.
- 14) Turn on the lights.

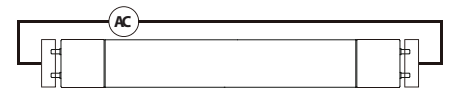


Fig:1 -Double-ended connection

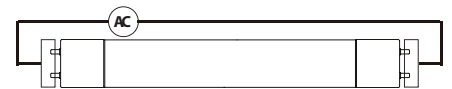


Fig:2 -Single-lamp connection

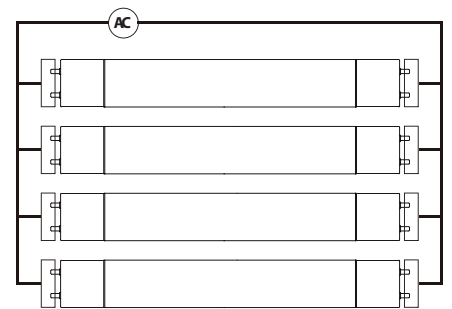
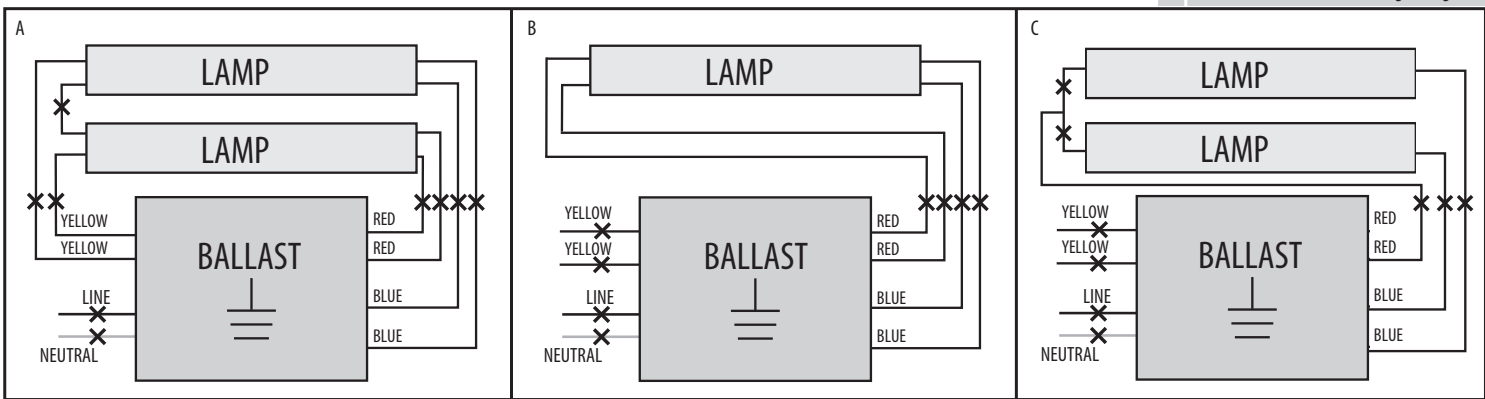


Fig:3 -Multiple-lamps connection

# INSTRUCTIONS

## LED T5 bypass tube series double ended Double-ended installation (with dimmer)

Typical Ballast Configurations



- 1) Make sure the power supply is 120VAC/60HZ
- 2) Make sure the circuit breaker that supplies the power to the fixture is turned off.
- 3) Remove lens or diffuser cover (if possible) and existing fluorescent lamps .
- 4) Open/Remove ballast wiring compartment cover .
- 5) Check if there is a ballast in the fixture.
- 6) Identify the line and neutral wires running from the breaker box to the ballast and confirm the power is off using a voltmeter.
- 7) Cut all wires connected to ballast, and remove ballast (and starter if present). Dispose of removed ballast and fluorescent lamps in accordance with government regulations in your area.
- 8) LED T5 lamps are designed for double-ended connections only (Fig.1).
- 9) Wire using appropriate wiring diagram (Fig.2-3)
- 10) Reinstall the ballast cover to hide all wires.
- 11) Install your new LED T5 replacement lamp.
- 12) Apply warning Label on a visible location inside the fixture.
- 13) Reinstall lens or diffusion cover on the light fixture.
- 14) Turn power on at the breaker box.
- 15) Turn on the lights.

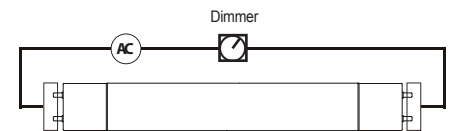


Fig:1 -Double ended connection

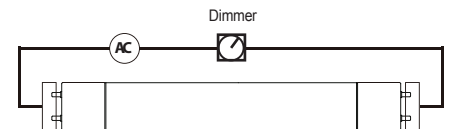


Fig:2 -Single-lamp connection

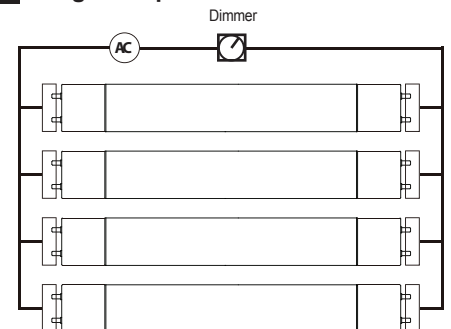


Fig:3 -Multiple-lamps connection