

# LED Vapor Proof Linear Highbay



MODEL: LHBVP155WUCCTW

SKU: 900077UCCTWVP2

LED Vapor Proof Linear Highbay

ELAKEVIEW ENTERPRISE

## PRODUCT DESCRIPTION

The Elakeview LED Vapor Proof Linear Highbay provides high lumen efficacy and energy savings to projects in high ceiling applications. This highbay is an excellent energy efficient replacement for food industry and refrigerated storage rooms.



## HIGHLIGHTS

- Universal Input AC120-347V
- Multi CCT & Wattage Selectable
- Class 2; 0-10V Dimming Driver; 4/6KV Surge Protector, w/overtemperature protection
- Efficacy - 160LM/W
- Long rated lifetime of over 100,000 hours (L70)
- Receptacle for Microwave Dimming Sensor (Sensor Sold Separately)
- Mounting V-Hooks Provided
- Optional Pendant Mount
- DLC Premium Listed
- IP67, IK10 rated, NEMA, NSF
- 10-Year Warranty



## APPLICATIONS

Designed for Food Industry and Refrigerated Rooms.

### ORDERING INFORMATION

ORDER SKU	MODEL#	VOLTAGE RANGE	POWER	EFFICACY	LUMEN OUTPUT	CCT	SIZE
900077UCCTWVP2	LHBVP155WUCCTW	120-347V	155/185/200W	160LM/W	24800/29600/32000LM	3500/4000/5000K	1206.5 x 266.3 x 115mm



# LED Vapor Proof Linear Highbay



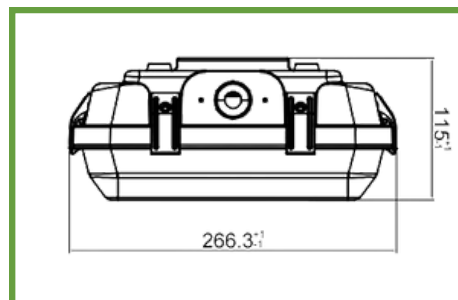
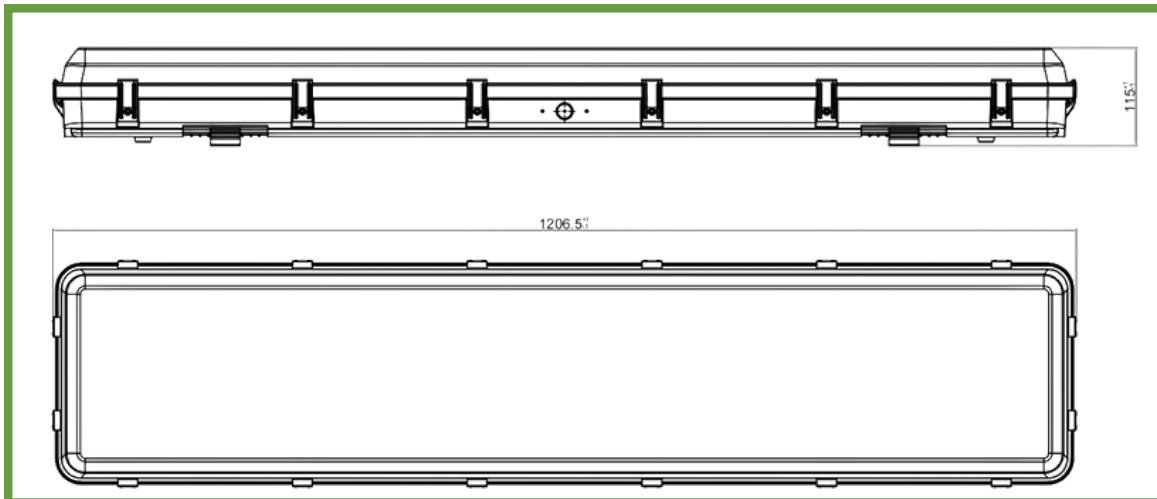
LED Vapor Proof Linear Highbay

ELAKEVIEW ENTERPRISE LTD.

## PRODUCT FEATURE

- AC120-347V
- Class2 0-10V Dimming Driver, 4/6KV surge protector, w/Overtemperature Protection
- 3500/4000/5000K Selectable
- 155/185/200W Selectable
- Tool-less Hinged Bottom
- CRI>80
- All steel surface are painted after fabrication with high gloss baked white matte power painted.
- 2 x Mounting Hooks Included
- High Transmission Opaque Acrylic Lens
- L70 - 100,000 hours
- DLC 5.1 P, cUL Listed, IP67, NSF, NEMA 4X and IK10-Rated
- 10 Years Warranty

## DIMENSIONS



# LED Vapor Proof Linear Highbay



LED Vapor Proof Linear Highbay

ELAKEVIEW ENTERPRISE

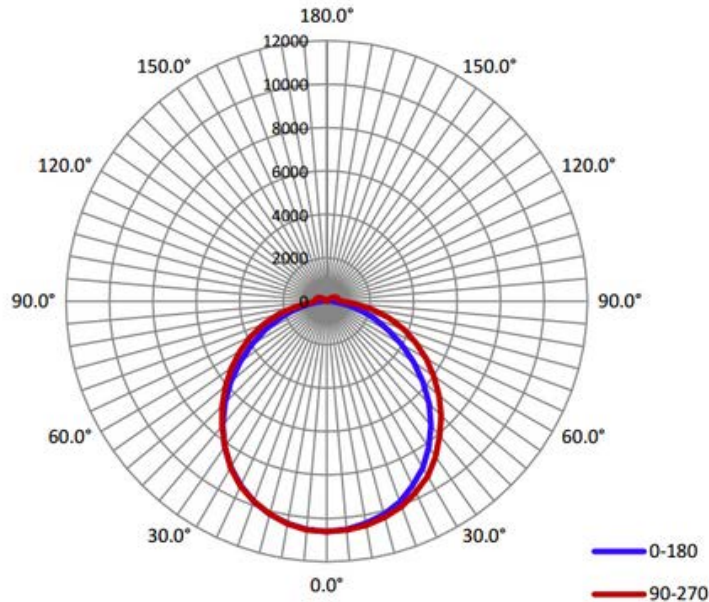
## SENSOR OPTIONS

ORDER SKU	MODEL#	DESCRIPTION
SENPIR-ANT4D	ANT-4D (L8LENS)	PIR Sensor, 0-10V dimming, Daylight Harvesting, DC12-24V
HD06VCRH3	HD06VCRH3	Highbay Microwave Sensor 0.5W 10-15VDC, 30mA, 5.8GHz, Max Mounting 15M/49.2FT Height, IP20, Detection Area 25-100%, Hold time 5s-30min, Stand-by dimming 10%-50% , Daylight Harvesting

## ASSESSORY OPTIONS

ORDER SKU	MODEL#	DESCRIPTION
LHWG-900077UCCTW	LHWG-900077UCCTW	Wire guard for SKU 900077UCCTW , Linear highbay 200/230/270w

Luminous Intensity Distribution



	C0/180	C45/225	C90/270	C135/315	AVG.
Beam Angle (50% I <sub>max</sub> ):	105.3	110.1	115.2	110.3	110.2
Field Angle (10% I <sub>max</sub> ):	158.5	167.2	169.5	167.3	165.6