

LED T8 TYPE A



MODEL: T8U-IDDM13-1800-L-CBA

SKU:600033-SP

LED T8 TYPE A

ELAKEVIEW ENTERPRISE LTD.

PRODUCT DESCRIPTION

The new LED Type A T8 is direct replacement for traditional fluorescent T8 tubes, providing instant, flicker-free illumination with lower energy cost. It is compatible with instant ballasts or programmed start ballasts.



HIGHLIGHTS

- AC100-277/347V depends on the ballast
- LED T8 Type A
- Compatible with instant & programmed start ballast
- Color temperature: 4000K
- Wattage: 11.5W
- CRI > 80
- Efficacy: 128LM/W
- Work w/ IS+PS+RS+EM
- Operating Temperature: -20°C to 45°C
- High Lumen Efficiency
- Lifetime - 50,000 Hours
- DLC, cUL Listed
- 5 Years warranty



APPLICATIONS

Replace traditional fluorescent T8

ORDER INFORMATION

ORDER SKU	DLC MODEL#	DLC PRODUCT ID	CRI	INPUT VOLTAGE	POWER	EFFICACY	DELIVERED LUMENS	CCT	SOCKET	SIZE
600033-SP	T8U-IDDM13-1800-L-CBA	P56Q4FK9	>80	AC100-277/347V	11.5W	128LM/W	1800LM	4000K	G13	4FT
600036-SP	T8U-IDDM13-2200-L-CBA	PAQMGB7	>80	AC100-277/347V	15W	126LM/W	2200LM	4000K	G13	4FT
600037-SP	T8U-IDDM13-2200-L-EBA	P5SPFY74	>80	AC100-277/347V	15W	126LM/W	2200LM	5000K	G13	4FT

REV 1



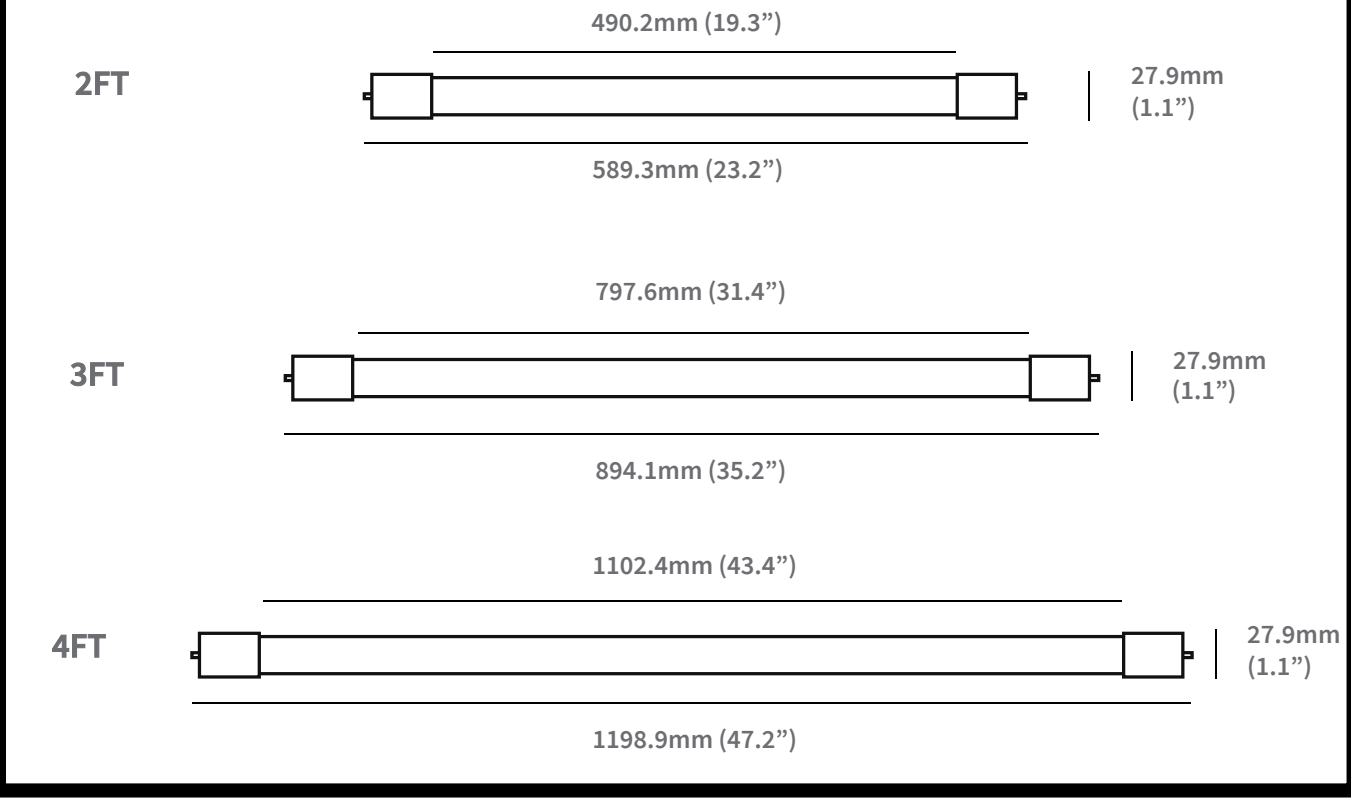
PRODUCT FEATURE

- AC100-277/347V depends on the ballast
- LED T8 Type A
- Compatible with instant & programmed start ballast
- Color temperature: 4000K
- Wattage: 11.5W
- CRI > 80
- Efficacy: 128LM/W
- Operating Temperature: -20°C to 45°C
- Work w/ IS+PS+RS+EM
- No UV, flickering free
- Suitable for dry and damp locations
- High Lumen Efficiency
- Shatterproof
- Lifetime - 50,000 Hours
- DLC 5.1, cUL Listed
- 5 Years warranty

PRODUCT SPECIFICATION

WATTS	SPECIFICATION	EFFICACY	LUMENS	COLOR TEMP	BEAM ANGLE	CRI	VOLTAGE	SOCKET	POWER FREQ	LENGTH
11.5W	T8	128LM/W	1800LM	4000K	330°	>80	AC100-277/347V	G13	50/60Hz	4FT

DIMENSIONS



REV 1