



**AA**CHARGING

# FlexCharge

## Smart Level 2 EV Charger

The FlexCharge Smart Level 2 EV Charger is a flexible and dependable all-in-one EV charging solution ideal for both indoor or outdoor commercial, residential, and retail applications.



## Applications

---



### Residential

Perfect for multi-family housing, our EV Charger fleet is compatible with most EVs in North America.



### Commercial

Our Single and Double Sided pedestals are ideal for commercial configurations.

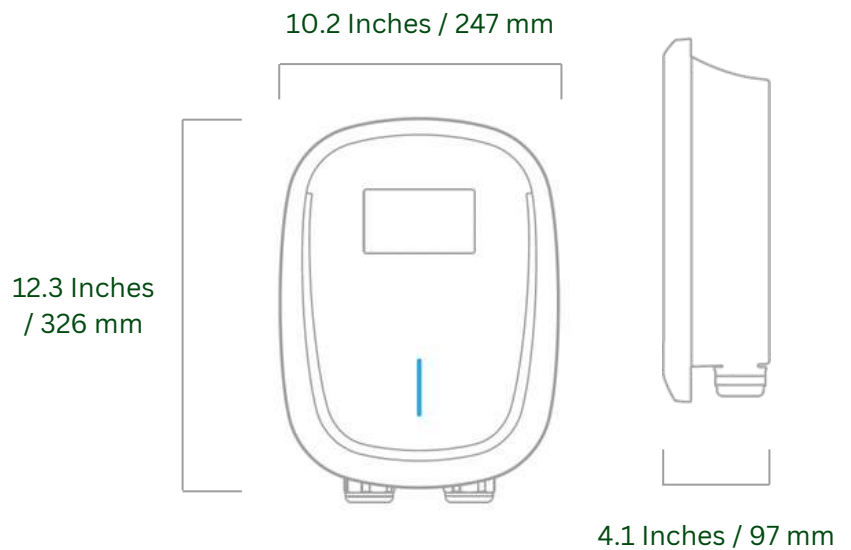
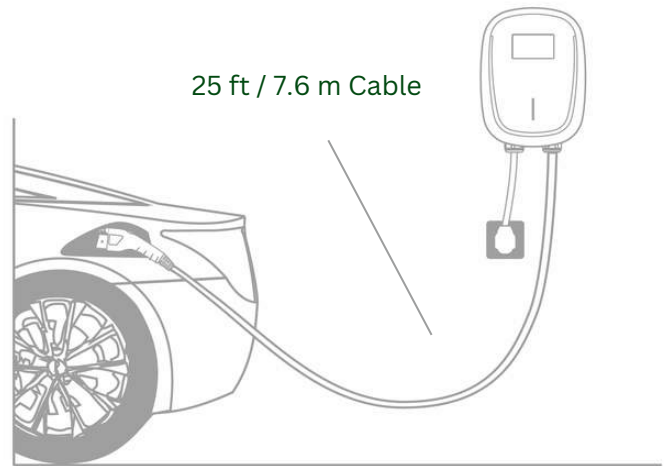


### Retail

Our solutions can help you future proof your business and upgrade your current amenities.

## FlexCharge Smart Level 2 EV Charger Product Features

- Provides 8x faster charging speeds than Level 1 EV chargers at a maximum output of 48A.
- RFID contactless payment for quick and efficient user interaction.
- Ideal for any indoor and outdoor applications up to -22°F - 122°F (-30°C - 50°C) with a NEMA Type 4 | IP65 rating.
- Suitable for either wall or pedestal mounting with an anchor kit.
- Dependable 4GHz Wi-Fi and Bluetooth Connection for remote charging capabilities.
- OCPP 1.6J Flexible Management Software with Remote Firmware Updates.
- Capable of withstanding 11.0 lbs (5 kg) of impact from heights of 15.8" (400 mm) without sustaining damage thanks to an IK 10 Damage Rating.
- Single and Double Sided EV Charging pedestal configurations available.



### OCPP App & Remote Updating Software

- Connect to the Smart Level 2 EV Charger remotely via WiFi using the OCPP Configuration App.
- Update the software across your commercial fleet remotely and tailor the charging experience to your clients.

# FlexCharge Smart Level 2 EV Charger

## Product Specifications

Model #: EVC48V-LV2

Input Current	48A
Input Voltage (Single Phase)	208-240V/ 60Hz
Network Connectivity	Ethernet + Wi-Fi & Bluetooth + 4G
RFID & OTA Technology	Included
Plug	Tesla NACS
Number of Ports	Single
Charging Cable	25ft (7.6m)
OCPP 1.6, Hardwired	Yes
AC Input Connection	L/N/GND
Max Output, 60 Hz	48A / 11.5kW
Dimensions (H x W x D)	12.3" x 10.2" x 4.1" (326mm x 247mm x 97mm)
Weight	13.2 lbs with Plug
IP Protection	IP65 / NEMA Type 4
Tamper Resistant	IK10, except LCD & RFID
Cable Management	Optional
Operating Temp	-22°F - 122°F (-30°C - 50°C)
Humidity	Max 95%
Metering Accuracy	+/- 1%
Input Protection	UVP, OVP, RCD, SPD
Output Protection	OCP, Control Pilot Fault
Internal Protection	OTP, MCU Function Fault
Safety	UL2594
Compliance & Certification	ETL Compliant, FCC Compliant, Energy Star Certified
Power Configurable	Built-In
LCD Display	4.3 Inch LCD Display
Warranty	3 Years

## Accessories

SKU #	Product Description
EVC48V-LV2-PD1	EV Charging Station Basic Pedestal - Single Sided
EVC48V-LV2-PD2	EV Charging Station Basic Pedestal - Double Sided
EVC48V-LV2-ANCHOR	Wet Concrete Anchor Kit